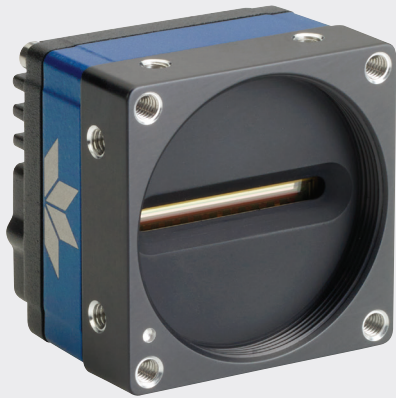


LINEA™ LITE

L2-CM-04K12B-00-A Line Scan Cameras



KEY FEATURES

- Cost-effective
- 4k x2 resolution
- 120kHz line rate
- Multiple regions of interest for calibration and data reduction
- 4 programmable coefficient sets
- Exposure control
- Compact form factor

TYPICAL APPLICATIONS

- Automated optical inspection
- Electronics inspection
- Food packaging
- Film and textile
- Wood inspection
- Printed materials inspection
- Web inspection
- General purpose machine vision

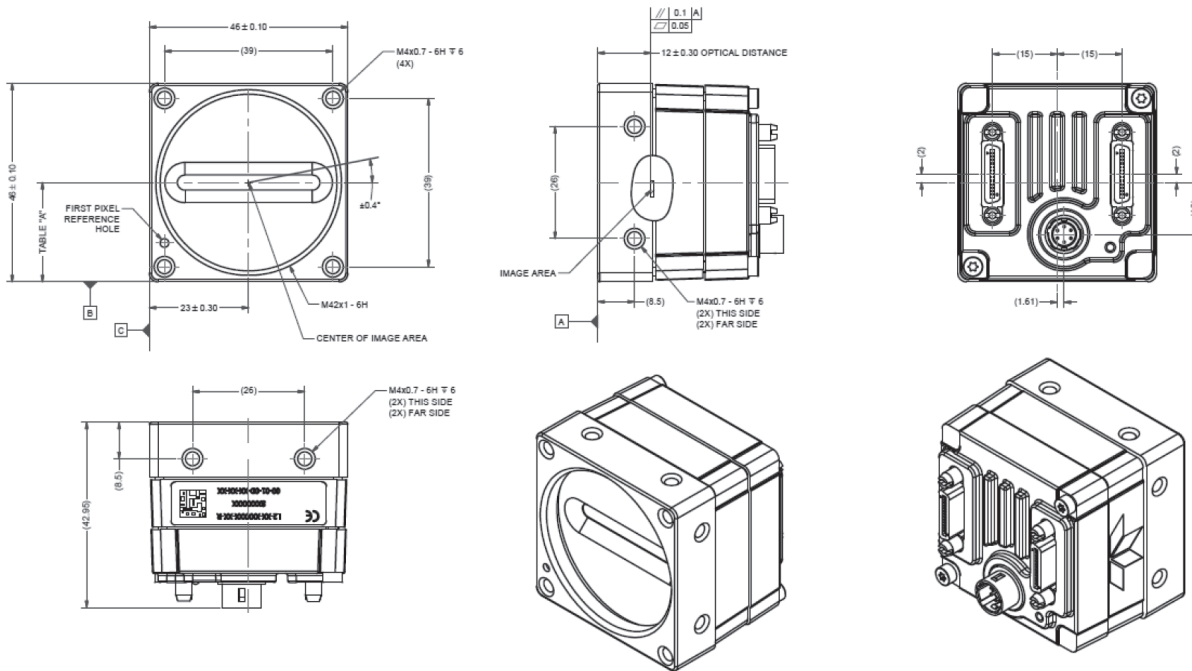
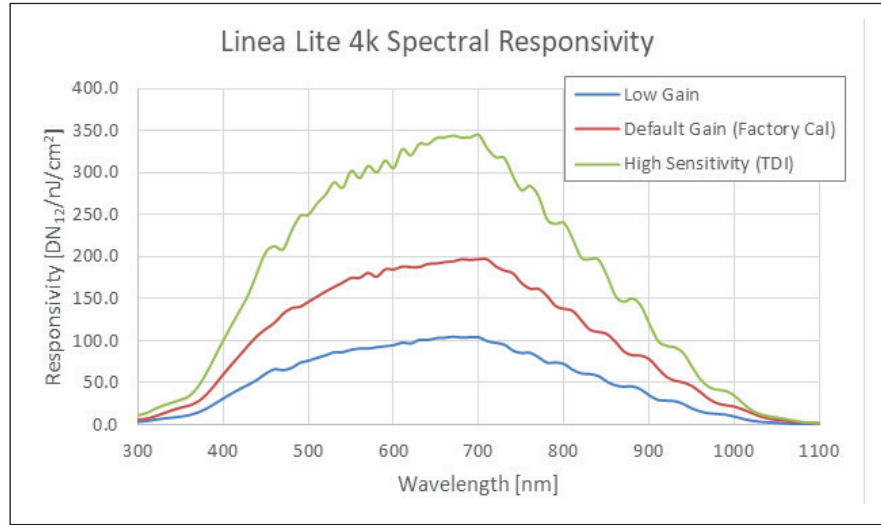
Compact and Cost-Effective Camera

Compact and remarkably cost effective, Linea Lite makes line scan more accessible than ever. This camera delivers outstanding 4k resolution images in a compact form factor with a Camera Link interface. Linea Lite offers both GigE and Cameralink interfaces to meet various application requirements.

SPECIFICATIONS

Part Number	L2-CM-04K12B-00-A
Resolution	4096 x 2 pixels
Max Line Rate	120 kHz
Pixel Size	7x7 µm
Interface	Camera Link
Data Format	8/12 bit
Dynamic Range (dB)	70
Full Well (ke-)	30
Read Noise (e-)	8.5
Power Dissipation	<6 W
Operating Temp	-10 to 65 °C
Camera Size	46 x 46 x 37 mm
Camera Weight	< 120 g
Optical Interface	M42
Control & Data	Camera Link

SPECIFICATIONS



FOR MORE INFORMATION CONTACT:

AMERICAS Boston, USA | +1 978-670-2000 | TDI_sales.americas@teledynedalsa.com
 EUROPE Krailling, Germany | +49 89-89-54-57-3-80 | TDI_sales.europe@teledynedalsa.com
 ASIA PACIFIC Tokyo, Japan | +81 3-5960-6353 | TDI_sales.asia@teledynedalsa.com
 Shanghai, China | +86 21-3368-0027 | TDI_sales.asia@teledynedalsa.com

This document does not contain information whose export/transfer/disclosure is restricted by the Canadian Export Control regulation. Teledyne DALSA has its corporate offices in Waterloo, Canada. Teledyne DALSA reserves the right to make changes at any time without notice. 2023 © Teledyne DALSA.

Revision Number: 03-070-25010-00
 Revision Date: 2023 03 12